

Intermittent Compression Pump and Garments



The intermittent compression pump is used for the treatment and management of various conditions. The application of intermittent pneumatic compression augments blood flow and encourages extra cellular fluid clearance. The pump operates on a 3 minute, automatically timed cycle consisting of 90 seconds of compression followed by 90 seconds of decompression.

Instructions:

1. Remove the pump from the packaging with the garment(s) for use.
2. Plug the pump into the wall outlet - DO NOT switch on!
3. Place the pump flat on the floor or by means of the hanging device.
4. Push the long tube from the garment onto the airport at the side of the pump. On some models, if only one garment is used the provided stopper must block the unused port.
5. Making sure that the power is off remove the garment from its wrapping and unzip it.
6. Place the arm or the leg into the garment and zip it up. Ensure the garment is fully zipped closed. The garment will conform to the contours of a limb.
7. Ensure that the pressure dial on the pump is set at a minimum level. Turn the power switch on and increase the pressure to the required level.



Cleaning Instructions:

- The pump can be cleaned using a soft cloth and water. DO NOT wash the pump while it is plugged into the wall outlet.
- The garment can be washed in lukewarm water using normal detergent or soap powder. Before washing the garments, be sure to seal off both ends of the garment air input using your connector tubing. Place one end of the tubing on one hole and connect the other end to the other hole forming a complete loop. This will prevent water from getting in the garment during washing.
- Do not iron or dry-clean the garment.

Troubleshooting:

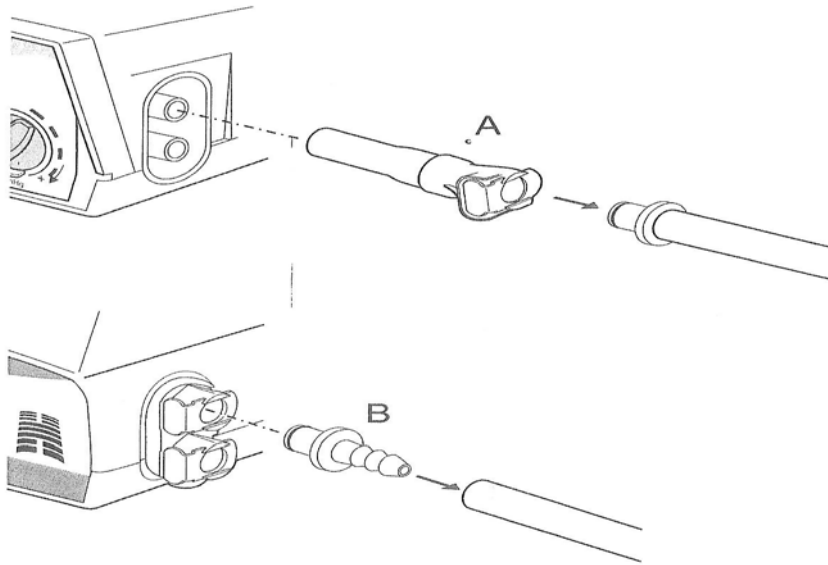
The garments will not inflate or reach the desired pressure.

- Ensure all tubing is connected properly to the pump and garment.
- Ensure all the required stoppers are in place.
- Turn the pressure dial higher and ensure the pump is turned on.
- Inspect the garments for tears or punctures.

Note:

MDA carries two different models of Intermittent Compression Pumps. Both have the same air pressure specifications but different air output nozzles. MDA carries two different types of adapters to accommodate this, which should be provided with your pump if needed.

Adapter setup for the Intermittent Compression Pump and Garment Tubing



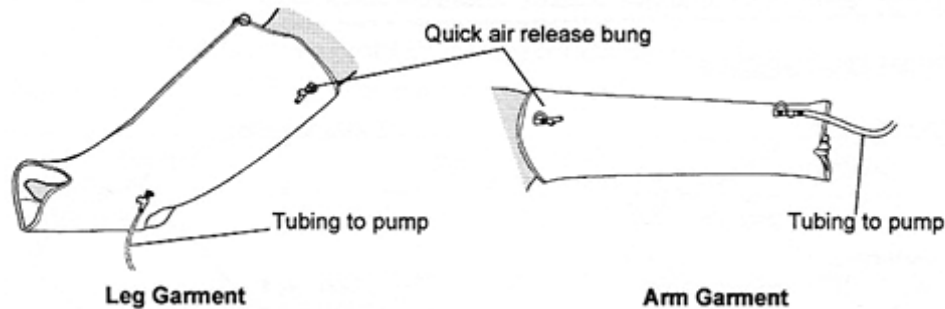
Inspection:

1. Prior to plugging in the pump, inspect the power cord for nicks, cuts or
2. breaks
3. Once plugged in, press the power switch and plug the air outlet.
4. Slowly turn the pressure selector to ensure that pressure increases as the dial is turned right, and decreases as the dial is turned left

Helpful Hints:

1. Please clean the pump with a damp soft cloth. Do not wash the pump while it is plugged into the wall outlet.
2. MDA carries two different models of Intermittent Compression Pumps. Both have the same air pressure specifications but different air output nozzles. MDA carries two different types of adapters to accommodate.

Compression Garments



Inspection

1. Ensure the zipper runs smoothly and does not catch. (Only open the zipper after the garment is completely deflated).
2. Check for tears outside and inside the garment.
3. Check for cracks in the tubing.
4. When attaching the garment tubing to the pump, ensure that a “click” is heard from each snap-lock container.

Helpful Hints

Wash the garment in lukewarm water using normal detergent, soap powder or gas sterilization. To machine wash compression garments, remove the “T” piece cover and insert the compression tube on both sides of the air inlet “T” piece. This forms a complete circuit and protects the inner chambers. Ensure the quick air release bung is secure (if applicable) and place the garment in the washing machine. The water temperature must not exceed 40OC. Hang to air dry. Do not tumble dry, iron or dry clean.

Patients should not walk or stand while wearing leg garments.

If items or parts need to be replaced or repaired, please contact MDA for assistance.